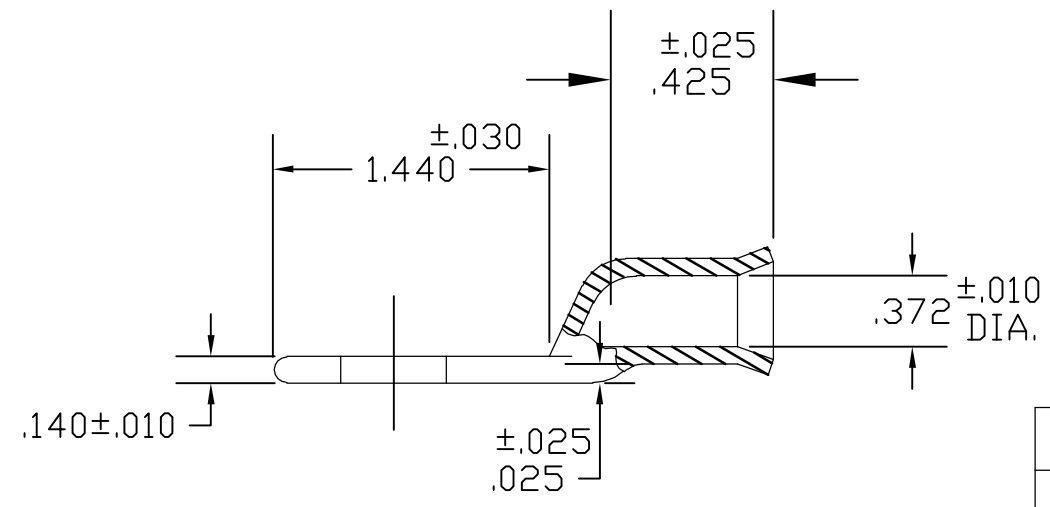
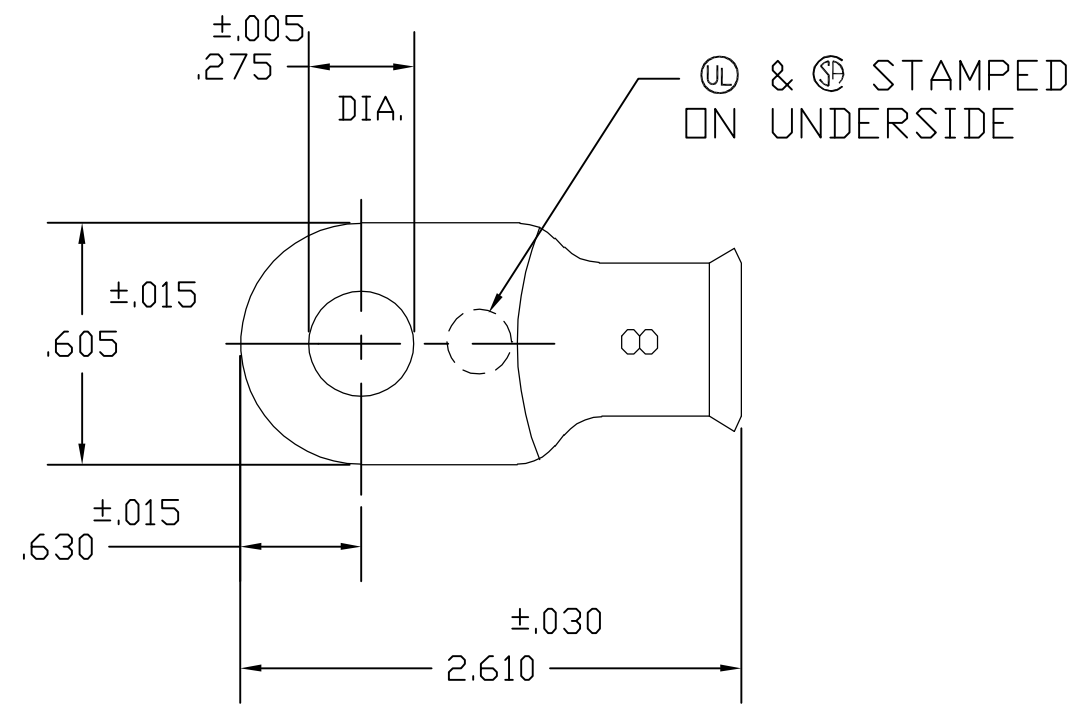


THIS DRAWING IS UNPUBLISHED. RELEASED FOR PUBLICATION
 © COPYRIGHT - BY TYCO ELECTRONICS CORPORATION. ALL RIGHTS RESERVED.

LOC	DIST	REVISIONS					
		P	LTR	DESCRIPTION	DATE	DWN	APVD
G	50		A2	REV PER ECR 06-006958	05APR06	JR	DD



ACTIVE	8142-01	STANDARD	TIN PLATE	1526128-2
ACTIVE	8142-00	STANDARD	PLAIN	1526128-1
STATUS	AET P/N	PACKAGING	FINISH	PART NUMBER

THIS DRAWING IS A CONTROLLED DOCUMENT.		DWN D.A.A 10/31/00	Tyco Electronics Corporation Harrisburg, Pa 17105-3608	
DIMENSIONS: INCHES		CHK H.D.F 10/31/00		
		APVD H.D.F 10/31/00	NAME 8 STANDARD TERMINAL	
MATERIAL COPPER ASTM B-152		FINISH -	PRODUCT SPEC -	APPLICATION SPEC -
TOLERANCES UNLESS OTHERWISE SPECIFIED:		SIZE CAGE CODE DRAWING NO RESTRICTED TO A3 00779 C-1526128 -		
0 PLC ± - 1 PLC ± - 2 PLC ± - 3 PLC ± - 4 PLC ± - ANGLES ± -		WEIGHT -		
CUSTOMER DRAWING		SCALE 1:1 SHEET 1 OF 1 REV A2		